



**BUILDING CODE COMPLIANCE OFFICE (BCCO)
PRODUCT CONTROL DIVISION**

**MIAMI-DADE COUNTY, FLORIDA
METRO-DADE FLAGLER BUILDING**

**140 WEST FLAGLER STREET, SUITE 1603
MIAMI, FLORIDA 33130-1563
(305) 375-2901 FAX (305) 375-2908**

NOTICE OF ACCEPTANCE (NOA)

www.buildingcodeonline.com

**Arso Enterprises, Inc. d/b/a Sol -A- Trol Aluminum Products
4101 N.W. 132nd Street
Miami, FL 33054**

SCOPE:

This NOA is being issued under the applicable rules and regulations governing the use of construction materials. The documentation submitted has been reviewed by Miami-Dade County Product Control Division and accepted by the Board of Rules and Appeals (BORA) to be used in Miami Dade County and other areas where allowed by the Authority Having Jurisdiction (AHJ).

This NOA shall not be valid after the expiration date stated below. The Miami-Dade County Product Control Division (In Miami Dade County) and/or the AHJ (in areas other than Miami Dade County) reserve the right to have this product or material tested for quality assurance purposes. If this product or material fails to perform in the accepted manner, the manufacturer will incur the expense of such testing and the AHJ may immediately revoke, modify, or suspend the use of such product or material within their jurisdiction. BORA reserves the right to revoke this acceptance, if it is determined by Miami-Dade County Product Control Division that this product or material fails to meet the requirements of the applicable building code.

This product is approved as described herein, and has been designed to comply with the Florida Building Code, including the High Velocity Hurricane Zone.

DESCRIPTION: Series 3000/3062 Outswing Aluminum Casement Window - L.M.I.

APPROVAL DOCUMENT: Drawing No. **W05-06**, titled "Series 3000/3062 Alum Casement WDW. (L.M.I.)", sheets 1 through 9 of 9, dated 02/02/05, with revision A dated 09/09/05, prepared by Al-Farooq Corporation, signed and sealed by Humayoun Farooq, P.E., bearing the Miami-Dade County Product Control Approval stamp with the Notice of Acceptance number and approval date by the Miami-Dade County Product Control Division.

MISSILE IMPACT RATING: Large and Small Missile Impact Resistant

LABELING: Each unit shall bear a permanent label with the manufacturer's name or logo, city, state and following statement: "Miami-Dade County Product Control Approved", unless otherwise noted herein.

RENEWAL of this NOA shall be considered after a renewal application has been filed and there has been no change in the applicable building code negatively affecting the performance of this product.

TERMINATION of this NOA will occur after the expiration date or if there has been a revision or change in the materials, use, and/or manufacture of the product or process. Misuse of this NOA as an endorsement of any product, for sales, advertising or any other purposes shall automatically terminate this NOA. Failure to comply with any section of this NOA shall be cause for termination and removal of NOA.

ADVERTISEMENT: The NOA number preceded by the words Miami-Dade County, Florida, and followed by the expiration date may be displayed in advertising literature. If any portion of the NOA is displayed, then it shall be done in its entirety.

INSPECTION: A copy of this entire NOA shall be provided to the user by the manufacturer or its distributors and shall be available for inspection at the job site at the request of the Building Official. This NOA consists of this page 1 and evidence pages E-1 and E-2, as well as approval document mentioned above

The submitted documentation was reviewed by **Manuel Perez, P.E.**



**NOA No 05-0414.02
Expiration Date: November 3, 2010
Approval Date: November 3, 2005**

Arso Enterprises, Inc. d/b/a Sol -A- Trol Aluminum Products

NOTICE OF ACCEPTANCE: EVIDENCE SUBMITTED

6. Test reports on 1) Air Infiltration Test, per FBC, TAS 202-94
2) Uniform Static Air Pressure Test, Loading per FBC, TAS 202-94
3) Water Resistance Test, per FBC, TAS 202-94
4) Forced Entry Resistant Test, per FBC 2411.3.2.1 (b) & TAS 202-94
along with marked-up drawings and installation diagram of aluminum casement window, prepared by Hurricane Engineering & Testing Inc., Test Report No. **HTL-04-1410**, dated 09/28/04, signed and sealed by Ivonne Ghia, P.E.
7. Test reports on 1) Large Missile Impact Test per FBC, TAS 201-94
2) Cyclic Wind Pressure Loading per FBC, TAS 203-94
along with marked-up drawings and installation diagram of aluminum casement window, prepared by Hurricane Engineering & Testing Inc., Test Report No. **HTL-04-1918B**, dated 09/28/04, signed and sealed by Ivonne Ghia, P.E.

C. CALCULATIONS

1. Anchor Calculations, ASTM-E1300, and structural analysis, prepared by Al-Farooq Corporation, dated 02/24/05, revised on 09/09/05 to comply with the FBC-2004, signed and sealed by Humayoun Farooq, P.E.
Complies with ASTM E1300-98

D. QUALITY ASSURANCE

1. Miami Dade Building Code Compliance Office (BCCO).

E. MATERIAL CERTIFICATIONS

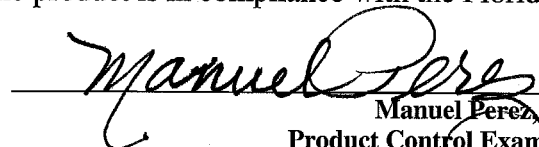
1. Notice of Acceptance No. 01-1204.01 issued to E.I. DuPont DeNemous for "Sentry Glass ® Plus" dated 01/17/02, expiring on 01/14/07.
2. Notice of Acceptance No. 01-1205.02 issued to Solutia, Inc. for "Saflex/Keepsafe Maximum" dated 05/17/01, expiring on 05/21/06.
3. Notice of Acceptance No. 01-1205.02 issued to "Solutia, Inc." for "DuPont Butacite ® PVB" dated 02/15/01, expiring on 12/11/05.

F. STATEMENTS

1. Statement letter of conformance, dated 09/08 /05, signed and sealed by Humayoun Farooq, P.E.
2. Statement letter of no financial interest, dated 02/24/05, signed and sealed by Humayoun Farooq, P.E.

G. OTHER

1. Letter from the consultant stating that the product is in compliance with the Florida Building Code (FBC).


Manuel Perez, P.E.
Product Control Examiner
NOA No 05-0414.02

Expiration Date: November 3, 2010
Approval Date: November 3, 2005

Arso Enterprises, Inc. d/b/a Sol -A- Trol Aluminum Products

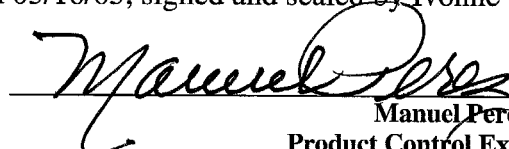
NOTICE OF ACCEPTANCE: EVIDENCE SUBMITTED

A. DRAWINGS

1. Manufacturers die drawings and sections.
2. Drawing No. **W05-06**, titled "Series 3000/3062 Alum Casement WDW. (L.M.I.)", sheets 1 through 9 of 9, dated 02/02/05, with revision A dated 09/09/05, prepared by Al-Farooq Corporation, signed and sealed by Humayoun Farooq, P.E.

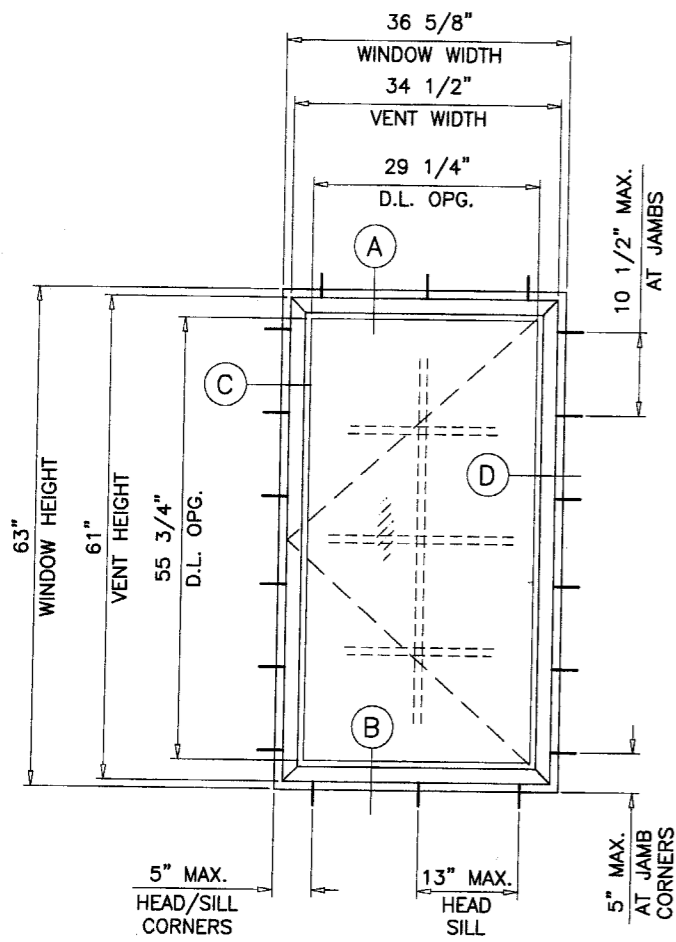
B. TESTS

1. Test reports on 1) Air Infiltration Test, per FBC, TAS 202-94
2) Uniform Static Air Pressure Test, Loading per FBC, TAS 202-94
3) Water Resistance Test, per FBC, TAS 202-94
4) Forced Entry Resistant Test, per FBC 2411.3.2.1 (b) and TAS 202-94
along with marked-up drawings and installation diagram of aluminum casement window, prepared by Hurricane Engineering & Testing Inc., Test Report No. **HTL-04-1409**, dated 09/28/04 with revision 03/16/05, signed and sealed by Ivonne Ghia, P.E.
2. Test reports on 1) Large Missile Impact Test per FBC, TAS 201-94
2) Cyclic Wind Pressure Loading per FBC, TAS 203-94
along with marked-up drawings and installation diagram of aluminum casement window, prepared by Hurricane Engineering & Testing Inc., Test Report No. **HTL-04-1918D**, dated 09/28/04 with revision 03/16/05, signed and sealed by Ivonne Ghia, P.E.
3. Test reports on 1) Large Missile Impact Test per FBC, TAS 201-94
2) Cyclic Wind Pressure Loading per FBC, TAS 203-94
along with marked-up drawings and installation diagram of aluminum casement window, prepared by Hurricane Engineering & Testing Inc., Test Report No. **HTL-04-1918A**, dated 09/28/04 with revision 03/16/05, signed and sealed by Ivonne Ghia, P.E.
4. Test reports on 1) Large Missile Impact Test per FBC, TAS 201-94
2) Cyclic Wind Pressure Loading per FBC, TAS 203-94
along with marked-up drawings and installation diagram of aluminum casement window, prepared by Hurricane Engineering & Testing Inc., Test Report No. **HTL-04-1918C**, dated 09/28/04, signed and sealed by Ivonne Ghia, P.E.
5. Test reports on 1) Large Missile Impact Test per FBC, TAS 201-94
2) Cyclic Wind Pressure Loading per FBC, TAS 203-94
along with marked-up drawings and installation diagram of aluminum casement window, prepared by Hurricane Engineering & Testing Inc., Test Report No. **HTL-04-1918E**, dated 09/28/04 with revision 03/16/05, signed and sealed by Ivonne Ghia, P.E.

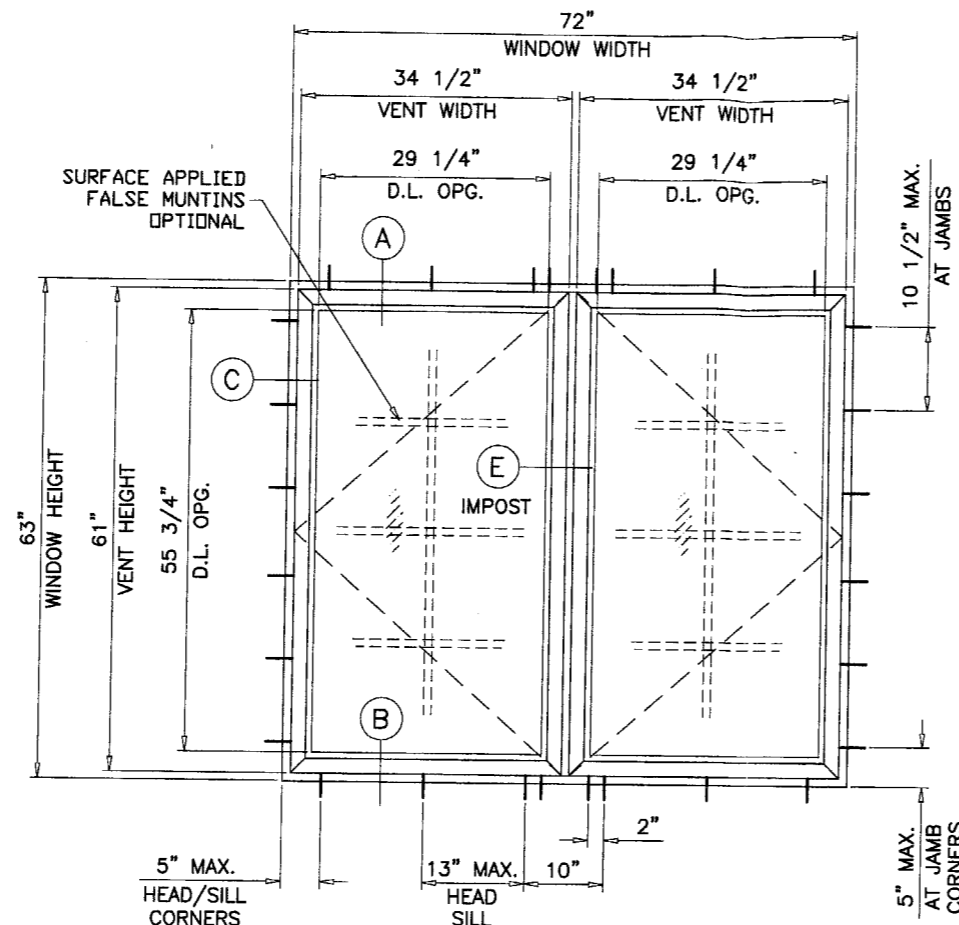

Manuel Perez, P.E.

Product Control Examiner
NOA No 05-0414.02

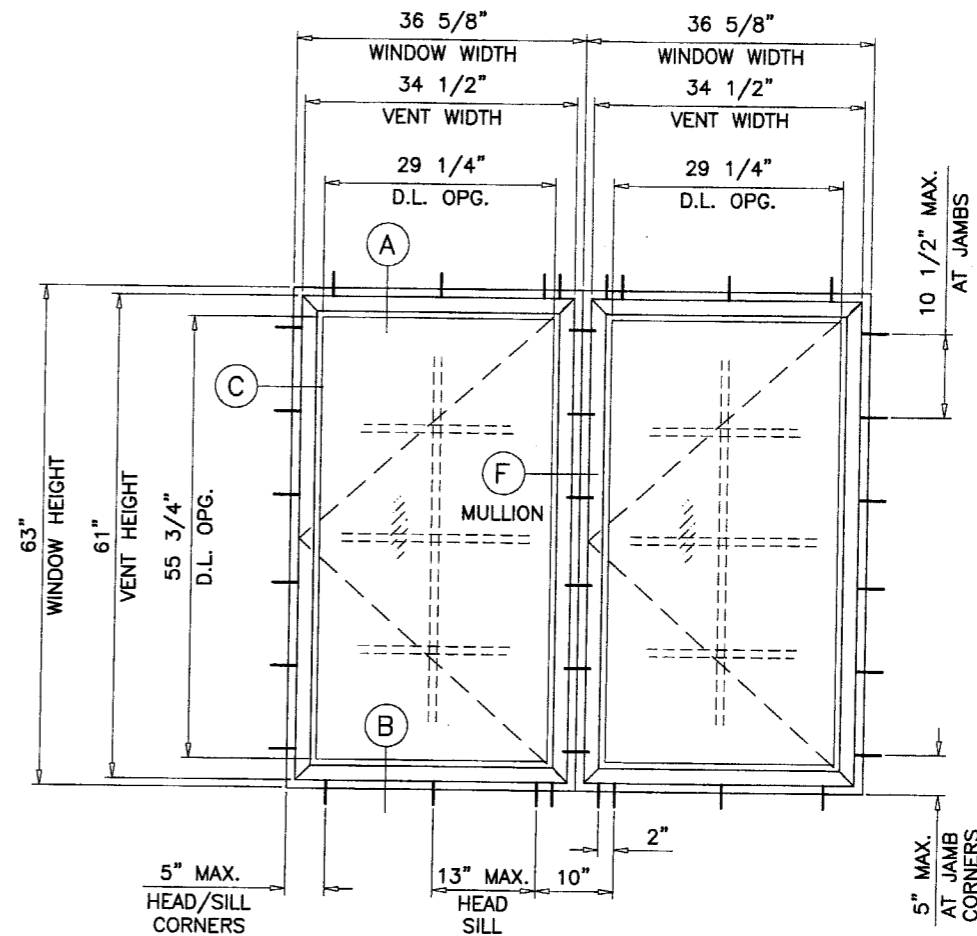
Expiration Date: November 3, 2010
Approval Date: November 3, 2005



SINGLE VENT WDW.



DUAL VENT WDW.

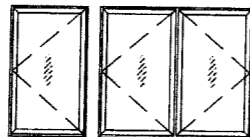


SIDE BY SIDE WDWs.

**SERIES 3000/3062 ALUM CASEMENT WINDOW
FLANGE OR EQUAL LEG FRAMES**

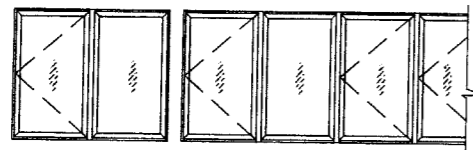
DESIGN LOAD RATING FOR THESE WINDOWS TO BE AS PER CHARTS SHOWN ON SHEET 2.

APPROVAL APPLIES TO SINGLE VENT WINDOWS OR DUAL VENT WINDOWS USING INTEGRAL IMPOST.



ALSO SIDE BY SIDE COMBINATIONS OF CASEMENT/CASEMENT OR CASEMENT WITH SERIES 3000/3062 FIXED WINDOWS USING MULLIONS IN BETWEEN.

LOWER DESIGN PRESSURE FROM WINDOWS OR MULLION CHARTS WILL APPLY TO ENTIRE SYSTEM.



THESE WINDOWS ARE RATED FOR LARGE MISSILE IMPACT. SHUTTERS ARE NOT REQUIRED.

THIS PRODUCT HAS BEEN DESIGNED AND TESTED TO COMPLY WITH THE REQUIREMENTS OF THE FLORIDA BUILDING CODE 2004 EDITION INCLUDING HIGH VELOCITY HURRICANE ZONE.

WOOD BUCKS BY OTHERS, MUST BE ANCHORED PROPERLY TO TRANSFER LOADS TO THE STRUCTURE.

ANCHORS SHALL BE AS LISTED, SPACED AS SHOWN ON DETAILS, ANCHORS EMBEDMENT TO BASE MATERIAL SHALL BE BEYOND WALL DRESSING OR STUCCO.

ANCHORING OR LOADING CONDITIONS NOT SHOWN IN THESE DETAILS ARE NOT PART OF THIS APPROVAL.

A 33% INCREASE IN ALLOWABLE STRESS IS USED IN DESIGN OF WOOD ANCHORS ONLY.

ALL STEEL IN CONTACT WITH ALUMINUM TO BE PAINTED OR PLATED.

Engr: DR. HUMAYOON FAROOQ
STRUCTURES
FLA. PE # 16557
C.A.N. 3538

SEP 15 2005

Approved as complying with the Florida Building Code
Date **NOV. 3, 2005**
NOA# **05-0414.02**
Miami Dade Product Control
Division
By *[Signature]*

AL-FAROOQ CORPORATION
ENGINEERS, PLANNERS & PRODUCT DESIGN
1235 SW 87 AVE
MIAMI, FLORIDA 33174
TEL. (305) 264-8100 FAX. (305) 262-6978
COMP-ANL\W05-06SAT

SERIES 3000/3062 ALUM CASEMENT WDW. (L.M.I.)
SOL-A-TROL ALUMINUM PRODUCTS
4101 N.W. 132ND STREET
MIAMI, FL. 33054
TEL. (305) 681-2020 FAX. (305) 681-2035

no	date	description
A	09.09.05	UPDATED FOR 2004 FBC

date: 02-02-05
scale: 1/2"=1'-0"
dr. by: HAMID
chk. by:

drawing no. **W05-06**
sheet 1 of 9

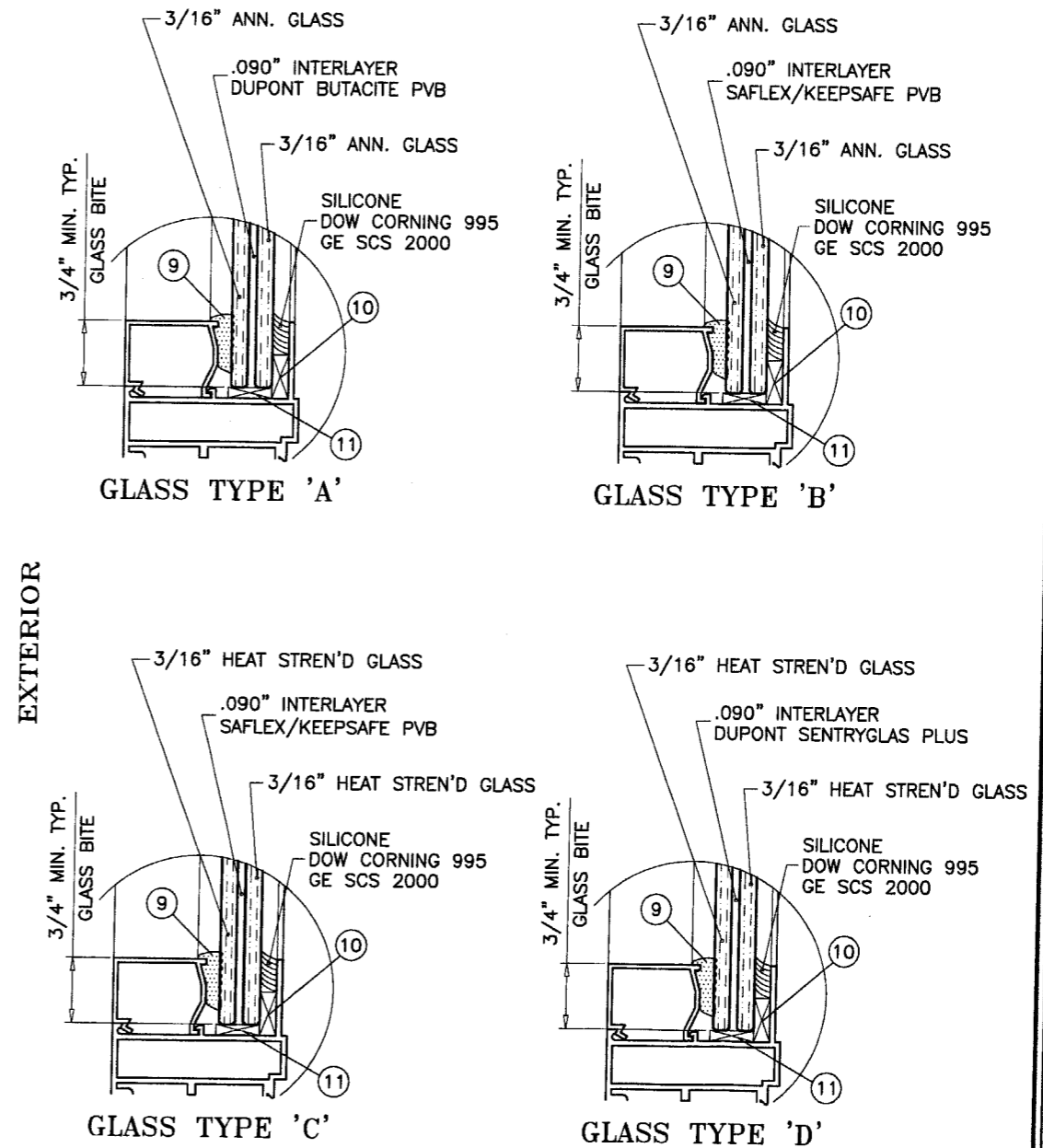
DESIGN LOAD CAPACITY - PSF FOR (X) SIZES							
WINDOW DIMS.		SERIES 3062		SERIES 3000			
		GLASS TYPES 'A', 'B' 'C' OR 'D'		GLASS TYPES 'A', 'B' OR 'C'		GLASS TYPE 'D'	
WIDTH	HEIGHT	EXT.(+)	1NT.(-)	EXT.(+)	1NT.(-)	EXT.(+)	1NT.(-)
19-1/8"	26" (3)	80.0	80.0	80.0	80.0	100.0	100.0
26-1/2"		80.0	80.0	80.0	80.0	100.0	100.0
37"		80.0	80.0	80.0	80.0	100.0	100.0
19-1/8"	38-3/8" (4)	80.0	80.0	80.0	80.0	100.0	100.0
26-1/2"		80.0	80.0	80.0	80.0	100.0	100.0
37"		80.0	80.0	80.0	80.0	100.0	100.0
19-1/8"	50-5/8" (5)	80.0	80.0	80.0	80.0	100.0	100.0
26-1/2"		80.0	80.0	80.0	80.0	100.0	100.0
37"		80.0	80.0	80.0	80.0	100.0	100.0
19-1/8"	63" (6)	80.0	80.0	80.0	80.0	100.0	100.0
26-1/2"		80.0	80.0	80.0	80.0	100.0	100.0
19-1/8"	74-1/4" (7)	80.0	80.0	80.0	80.0	100.0	100.0
26-1/2"		61.0	61.0	76.2	76.2	76.2	76.2
18"	24" (3)	80.0	80.0	80.0	80.0	100.0	100.0
24"		80.0	80.0	80.0	80.0	100.0	100.0
30"		80.0	80.0	80.0	80.0	100.0	100.0
36"		80.0	80.0	80.0	80.0	100.0	100.0
18"	36" (4)	80.0	80.0	80.0	80.0	100.0	100.0
24"		80.0	80.0	80.0	80.0	100.0	100.0
30"		80.0	80.0	80.0	80.0	100.0	100.0
36"		80.0	80.0	80.0	80.0	100.0	100.0
18"	48" (5)	80.0	80.0	80.0	80.0	100.0	100.0
24"		80.0	80.0	80.0	80.0	100.0	100.0
30"		80.0	80.0	80.0	80.0	100.0	100.0
36"		80.0	80.0	80.0	80.0	100.0	100.0
18"	60" (6)	80.0	80.0	80.0	80.0	100.0	100.0
24"		80.0	80.0	80.0	80.0	100.0	100.0
30"		80.0	80.0	80.0	80.0	100.0	100.0
36"		80.0	80.0	80.0	80.0	100.0	100.0
18"	63" (6)	80.0	80.0	80.0	80.0	100.0	100.0
24"		80.0	80.0	80.0	80.0	100.0	100.0
30"		80.0	80.0	80.0	80.0	100.0	100.0
36"		80.0	80.0	80.0	80.0	100.0	100.0
18"	72" (7)	80.0	80.0	80.0	80.0	100.0	100.0
24"		73.3	73.3	80.0	80.0	91.7	91.7
30"		60.2	60.2	75.3	75.3	75.3	75.3

() = NO. OF ANCHORS PER JAMB

DESIGN LOAD CAPACITY - PSF FOR (XX) SIZES							
WINDOW DIMS.		SERIES 3062		SERIES 3000			
		GLASS TYPES 'A', 'B' 'C' OR 'D'		GLASS TYPES 'A', 'B' OR 'C'		GLASS TYPE 'D'	
WIDTH	HEIGHT	EXT.(+)	1NT.(-)	EXT.(+)	1NT.(-)	EXT.(+)	1NT.(-)
26-1/2"	26" (3)	80.0	80.0	80.0	80.0	100.0	100.0
37"		80.0	80.0	80.0	80.0	100.0	100.0
53-1/8"		80.0	80.0	80.0	80.0	100.0	100.0
26-1/2"	38-3/8" (4)	80.0	80.0	80.0	80.0	100.0	100.0
37"		80.0	80.0	80.0	80.0	100.0	100.0
53-1/8"		80.0	80.0	80.0	80.0	100.0	100.0
26-1/2"	50-5/8" (5)	80.0	80.0	80.0	80.0	100.0	100.0
37"		80.0	80.0	80.0	80.0	100.0	100.0
53-1/8"		80.0	80.0	80.0	80.0	100.0	100.0
26-1/2"	63" (6)	80.0	80.0	80.0	80.0	100.0	100.0
37"		80.0	80.0	80.0	80.0	100.0	100.0
53-1/8"		80.0	80.0	80.0	80.0	100.0	100.0
24"	24" (3)	80.0	80.0	80.0	80.0	100.0	100.0
36"		80.0	80.0	80.0	80.0	100.0	100.0
48"		80.0	80.0	80.0	80.0	100.0	100.0
60"		80.0	80.0	80.0	80.0	100.0	100.0
24"	36" (4)	80.0	80.0	80.0	80.0	100.0	100.0
36"		80.0	80.0	80.0	80.0	100.0	100.0
48"		80.0	80.0	80.0	80.0	100.0	100.0
60"		80.0	80.0	80.0	80.0	100.0	100.0
24"	48" (5)	80.0	80.0	80.0	80.0	100.0	100.0
36"		80.0	80.0	80.0	80.0	100.0	100.0
48"		80.0	80.0	80.0	80.0	100.0	100.0
60"		80.0	80.0	80.0	80.0	100.0	100.0
24"	60" (6)	80.0	80.0	80.0	80.0	100.0	100.0
36"		80.0	80.0	80.0	80.0	100.0	100.0
48"		80.0	80.0	80.0	80.0	100.0	100.0
60"		80.0	80.0	80.0	80.0	100.0	100.0
24"	63" (6)	80.0	80.0	80.0	80.0	100.0	100.0
36"		80.0	80.0	80.0	80.0	100.0	100.0
48"		80.0	80.0	80.0	80.0	100.0	100.0
60"		80.0	80.0	80.0	80.0	100.0	100.0
24"	72"	80.0	80.0	80.0	80.0	100.0	100.0
36"		80.0	80.0	80.0	80.0	100.0	100.0
48"		80.0	80.0	80.0	80.0	100.0	100.0
60"		80.0	80.0	80.0	80.0	100.0	100.0

() = NO. OF ANCHORS PER JAMB

NOTE:
GLASS CAPACITIES ON THIS SHEET
ARE BASED ON
A: ASTM E1300-98 (60 SEC. WIND)
B: ASTM E1300-02 (3 SEC. GUSTS)



GLAZING OPTIONS

Engr: DR. HUMAYOUN FAROOQ
STRUCTURES
FLA. PE # 18557
C.A.N. 3538

SEP 15 2005

Approved as complying with the
Florida Building Code
Date NOV. 3, 2005
NOA# 05-0414-02
Miami Dade Product Control
Division
By Mauro Perez

AL-FAROOQ CORPORATION
ENGINEERS, PLANNERS & PRODUCT DESIGN
1235 SW 87 AVE
MIAMI, FLORIDA 33174
TEL. (305) 264-8100 FAX. (305) 262-6978

COMP-ANL/W05-06SAT

SERIES 3000/3062 ALUM CASEMENT WDW. (L.M.I.)

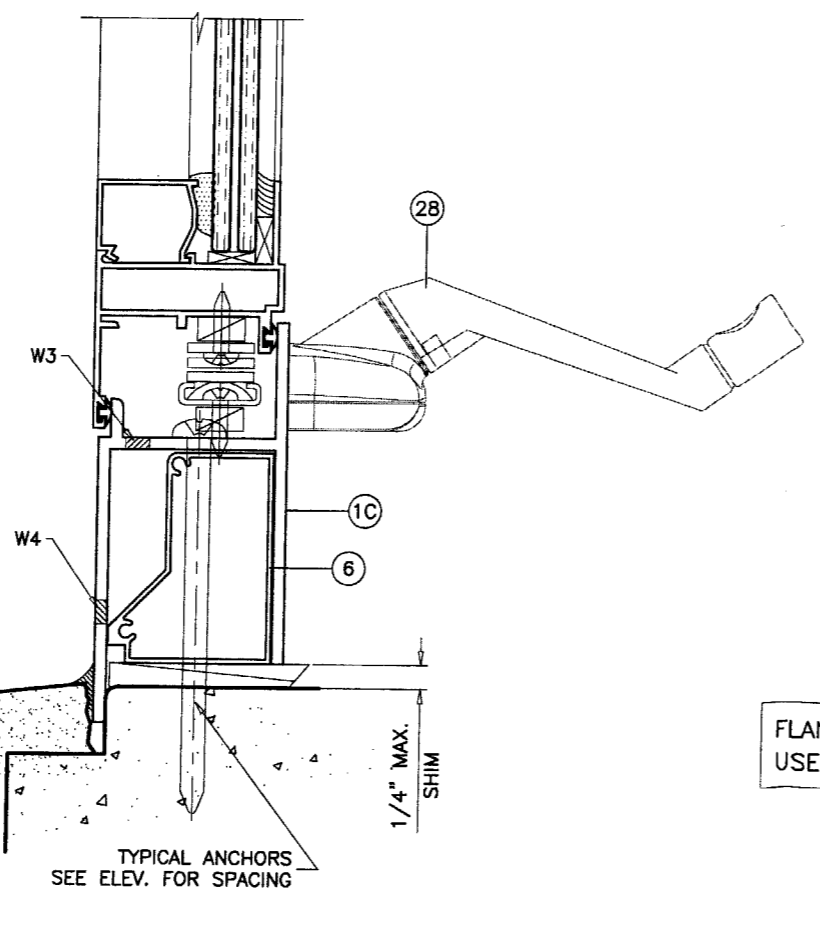
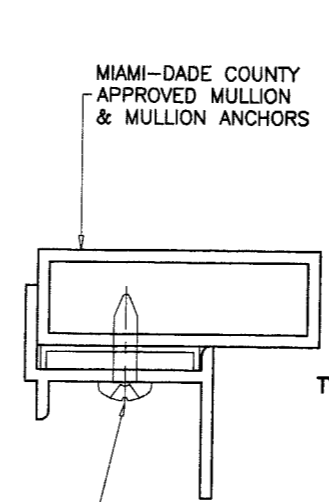
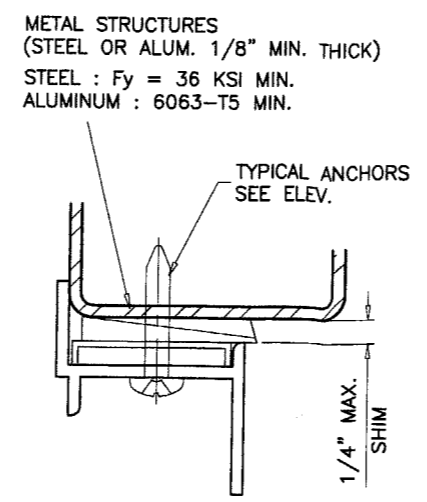
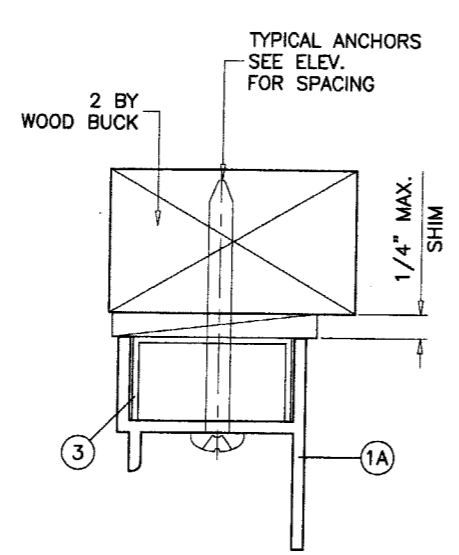
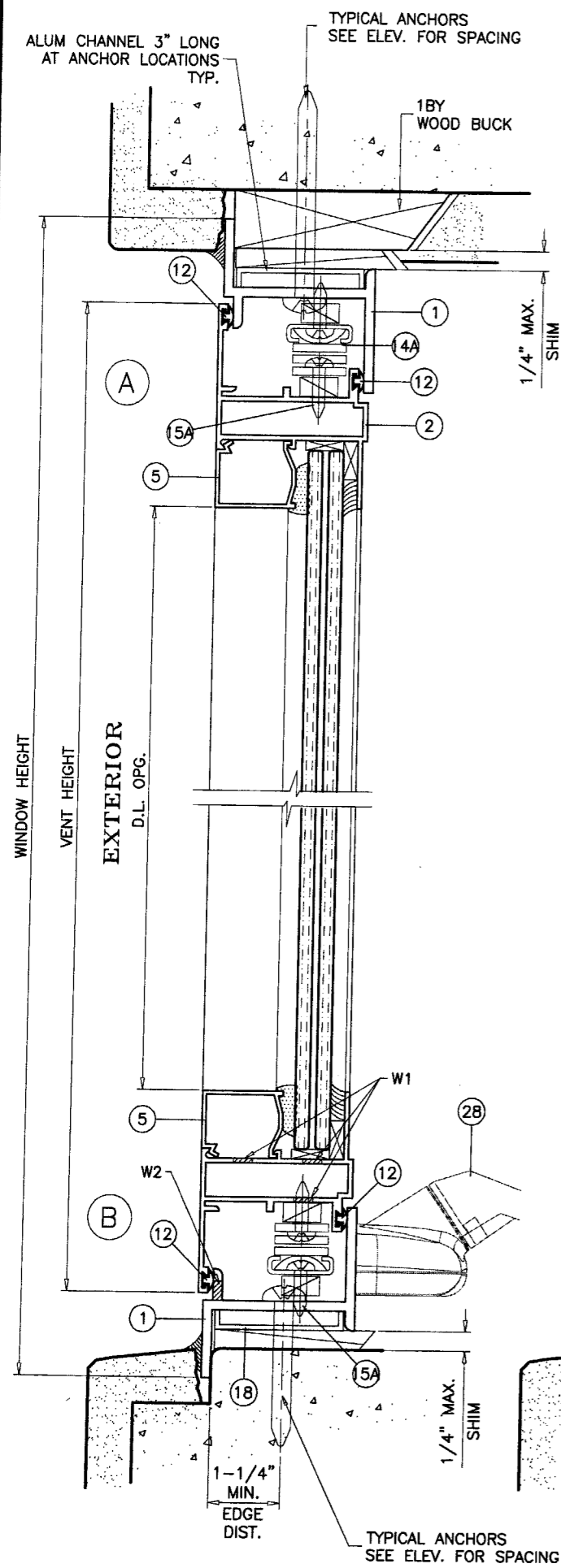
SOL-A-TROL ALUMINUM PRODUCTS
4101 N.W. 132ND STREET
MIAMI, FL. 33054
TEL. (305) 681-2020 FAX. (305) 681-2035

revisions:	no.	date	description
	A	09.09.05	NOTE ADDED

date: 02-02-05
scale: 1/2" = 1"
dr. by: HAMID
chk. by:

drawing no.
W05-06

sheet 2 of 9



WOOD BUCKS NOT BY SOL-A-TROL, MUST SUSTAIN LOADS IMPOSED BY GLAZING SYSTEM AND TRANSFER THEM TO THE BUILDING STRUCTURE.

TYPICAL ANCHORS: SEE ELEV. FOR SPACING

TYPE 'A' 1/4" DIA. TAPCONS
 INTO 2BY WOOD BUCKS OR WOOD STRUCTURES
 1-3/8" MIN. PENETRATION INTO WOOD
 THRU 1BY WOOD BUCKS INTO
 3000 PSI MIN. CONC. OR C-90 GROUT FILLED BLOCK
 1-1/4" MIN. EMBED INTO CONC. OR MASONRY
 DIRECTLY INTO
 3000 PSI MIN. CONC. OR C-90 GROUT FILLED BLOCK
 1-1/4" MIN. EMBED INTO CONC. OR MASONRY

TYPE 'B' #14 SMS
 INTO 2BY WOOD BUCKS OR WOOD STRUCTURES
 1-3/8" MIN. PENETRATION INTO WOOD

#14 SMS (MIN. GRADE 2 CRS) OR
1/4" HILTI KWIK-FLEX SELF DRILLING SCREWS
 INTO METAL STRUCTURES
 (STEEL OR ALUMINUM 1/8" MIN. THICK.)

STEEL : $F_y = 36$ KSI MIN.
 ALUMINUM : 6063-T5 MIN.

#12 SMS (MIN. GRADE 2 CRS)
 INTO APPROVED MULLIONS (NO SHIM SPACE)

TYPICAL EDGE DISTANCE
 INTO CONCRETE AND MASONRY = 1-1/4" MIN.
 INTO WOOD = 1" MIN.
 INTO METAL = 1" MIN.

SEALANTS:
 ALL FRAME AND VENT CORNERS SEALED WITH JOINT SEALANT.

WEEPHOLES:
 W1 = 1/4" DIA. WEEP HOLES AT 7" FROM EACH END
 W2 = 1/4" X 3/8" WEEP SLOT AT 7" FROM EACH END
 W3 = 1/4" WEEP HOLES AT 6" FROM EACH END AND AT CENTERLINE
 W4 = 3/16" X 1" WEEP SLOT AT 6" FROM EACH END AND AT CENTERLINE

FLANGE AND EQUAL LEG FRAMES CAN BE USED AT ALL ANCHORAGE CONDITIONS.

Engr: DR. HUMAYOUN FAROOQ
 STRUCTURES
 FLA. PE # 16557
 C.A.N. 3538

Approved as complying with the
 Florida Building Code
 Date **Nov. 3, 2005**
 No. **05-0414.02**
 Miami Dade Product Control
 Division
 By *Manuel Perez*

SERIES 3062

SEP 15 2005

afc

AL-FAROOQ CORPORATION
 ENGINEERS, PLANNERS & PRODUCT DESIGN
 1235 SW 87 AVE
 MIAMI, FLORIDA 33174
 TEL. (305) 264-8100 FAX. (305) 262-6978
 COMP-ANL W05-06SAT

SERIES 3000/3062 ALUM CASEMENT WDW. (L.M.I.)

SOL-A-TROL ALUMINUM PRODUCTS
 4101 N.W. 132ND STREET
 MIAMI, FL. 33054
 TEL. (305) 681-2020 FAX. (305) 681-2035

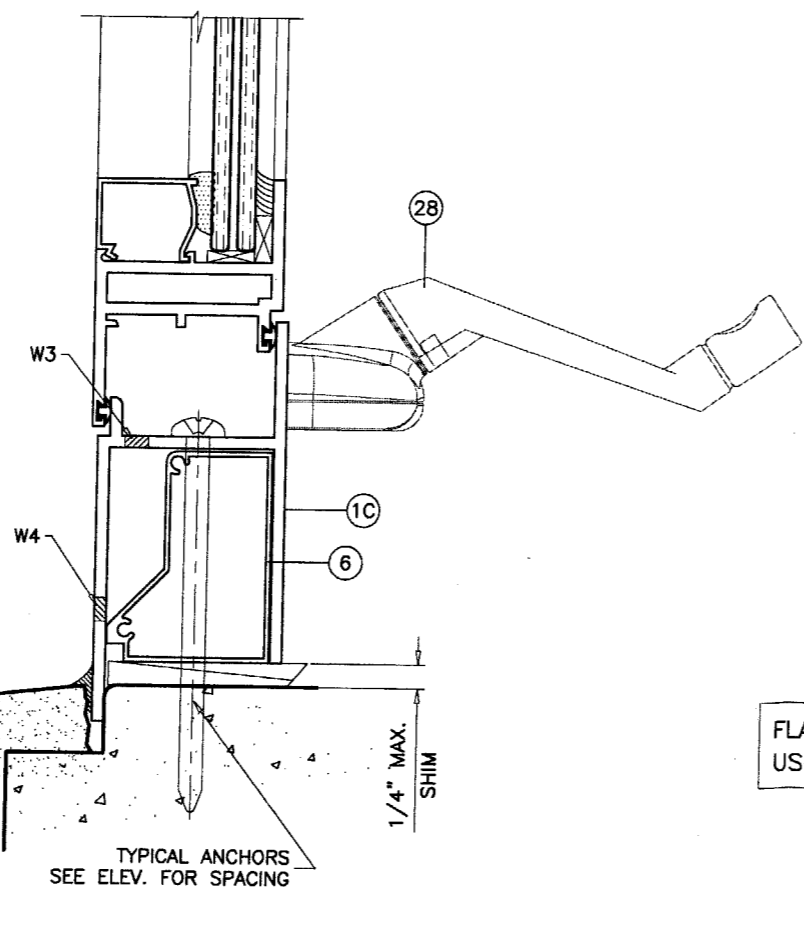
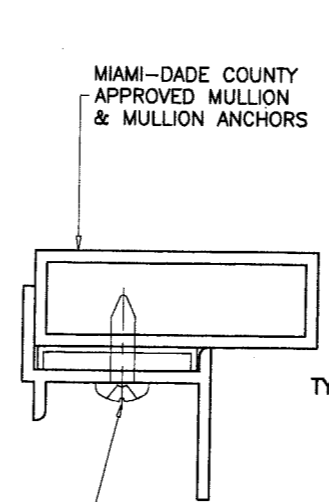
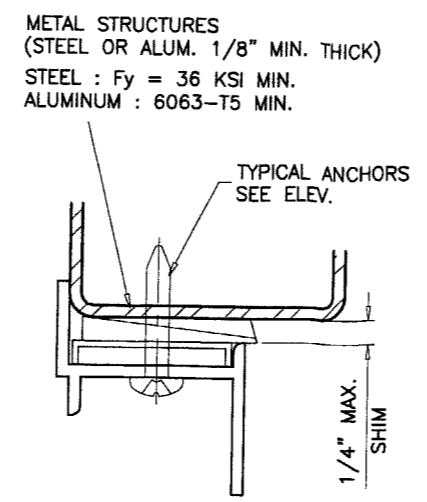
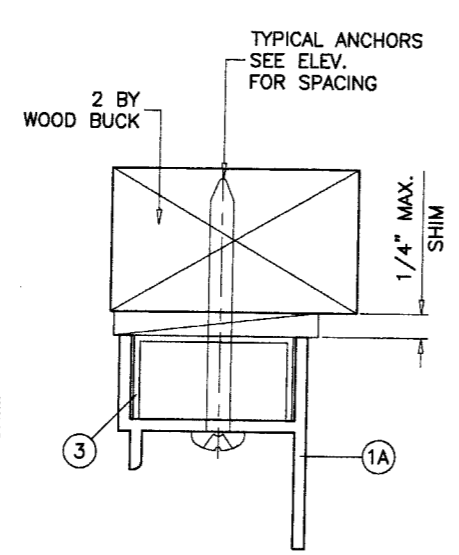
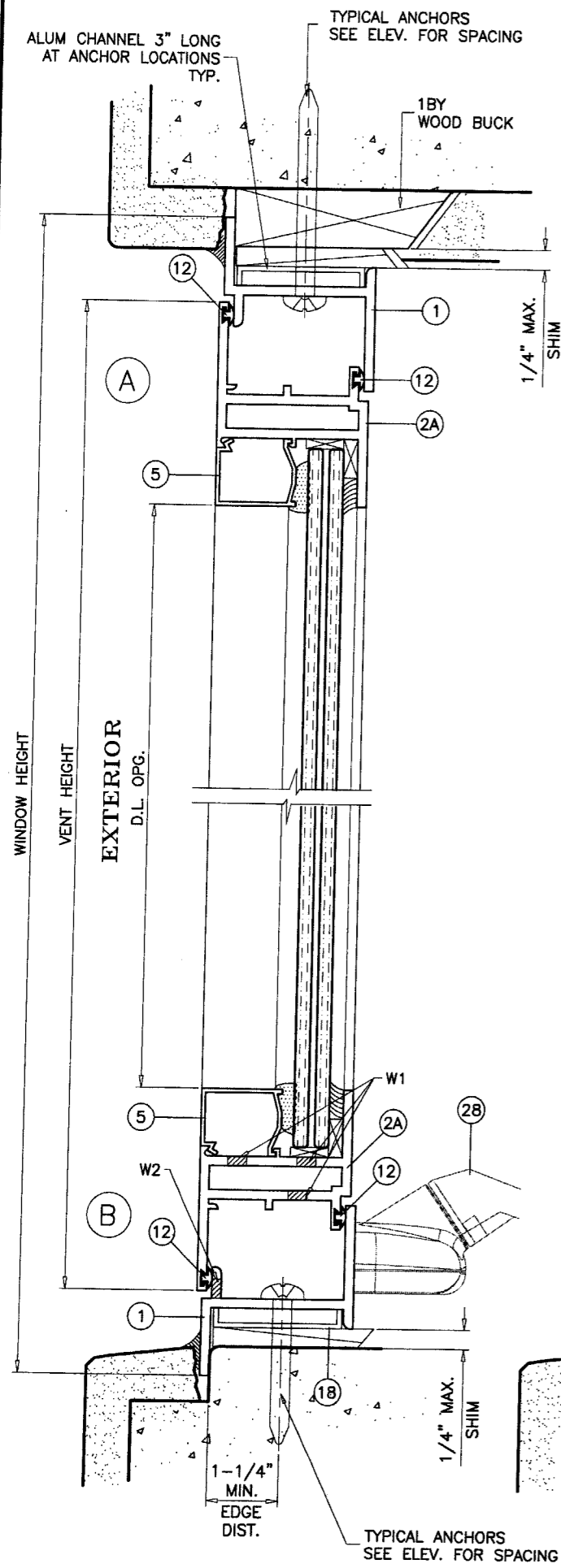
no	date	description
A	09.09.05	NO CHANGE THIS SHEET

revisions:

date: 02-02-05
 scale: 1/2" = 1"
 dr. by: HAMID
 chk. by:

drawing no.
W05-06

sheet 3 of 9



WOOD BUCKS NOT BY SOL-A-TROL, MUST SUSTAIN LOADS IMPOSED BY GLAZING SYSTEM AND TRANSFER THEM TO THE BUILDING STRUCTURE.

TYPICAL ANCHORS: SEE ELEV. FOR SPACING

TYPE 'A' 1/4" DIA. TAPCONS
 INTO 2BY WOOD BUCKS OR WOOD STRUCTURES
 1-3/8" MIN. PENETRATION INTO WOOD
 THRU 1BY WOOD BUCKS INTO
 3000 PSI MIN. CONC. OR C-90 GROUT FILLED BLOCK
 1-1/4" MIN. EMBED INTO CONC. OR MASONRY
 DIRECTLY INTO
 3000 PSI MIN. CONC. OR C-90 GROUT FILLED BLOCK
 1-1/4" MIN. EMBED INTO CONC. OR MASONRY

TYPE 'B' #14 SMS
 INTO 2BY WOOD BUCKS OR WOOD STRUCTURES
 1-3/8" MIN. PENETRATION INTO WOOD

#14 SMS (MIN. GRADE 2 CRS) OR
1/4" HILTI KWIK-FLEX SELF DRILLING SCREWS
 INTO METAL STRUCTURES
 (STEEL OR ALUMINUM 1/8" MIN. THICK.)

STEEL : $F_y = 36$ KSI MIN.
 ALUMINUM : 6063-T5 MIN.

#12 SMS (MIN. GRADE 2 CRS)
 INTO APPROVED MULLIONS (NO SHIM SPACE)

TYPICAL EDGE DISTANCE
 INTO CONCRETE AND MASONRY = 1-1/4" MIN.
 INTO WOOD = 1" MIN.
 INTO METAL = 1" MIN.

SEALANTS:
 ALL FRAME AND VENT CORNERS SEALED WITH JOINT SEALANT.

WEEPHOLES:
 W1 = 1/4" DIA. WEEP HOLES AT 7" FROM EACH END
 W2 = 1/4" X 3/8" WEEP SLOT AT 7" FROM EACH END
 W3 = 1/4" WEEP HOLES AT 6" FROM EACH END AND AT CENTERLINE
 W4 = 3/16" X 1" WEEP SLOT AT 6" FROM EACH END AND AT CENTERLINE

FLANGE AND EQUAL LEG FRAMES CAN BE USED AT ALL ANCHORAGE CONDITIONS.

Eng: DR. HUMAYOUN FAROOQ
 STRUCTURES
 FLA. PE. # 16557
 C.A.N. 3538

Approved as complying with the
 Florida Building Code
 Date NOV. 3, 2005
 NOA# 05-0414.02
 Miami Dade Product Control
 Division
 By Manuel Perez

SERIES 3000

SEP 15 2005

AL-FAROOQ CORPORATION
 ENGINEERS, PLANNERS & PRODUCT DESIGN
 1235 SW 87 AVE
 MIAMI, FLORIDA 33174
 TEL. (305) 264-8100 FAX. (305) 262-6978

COMP-ANL/W05-06SAT

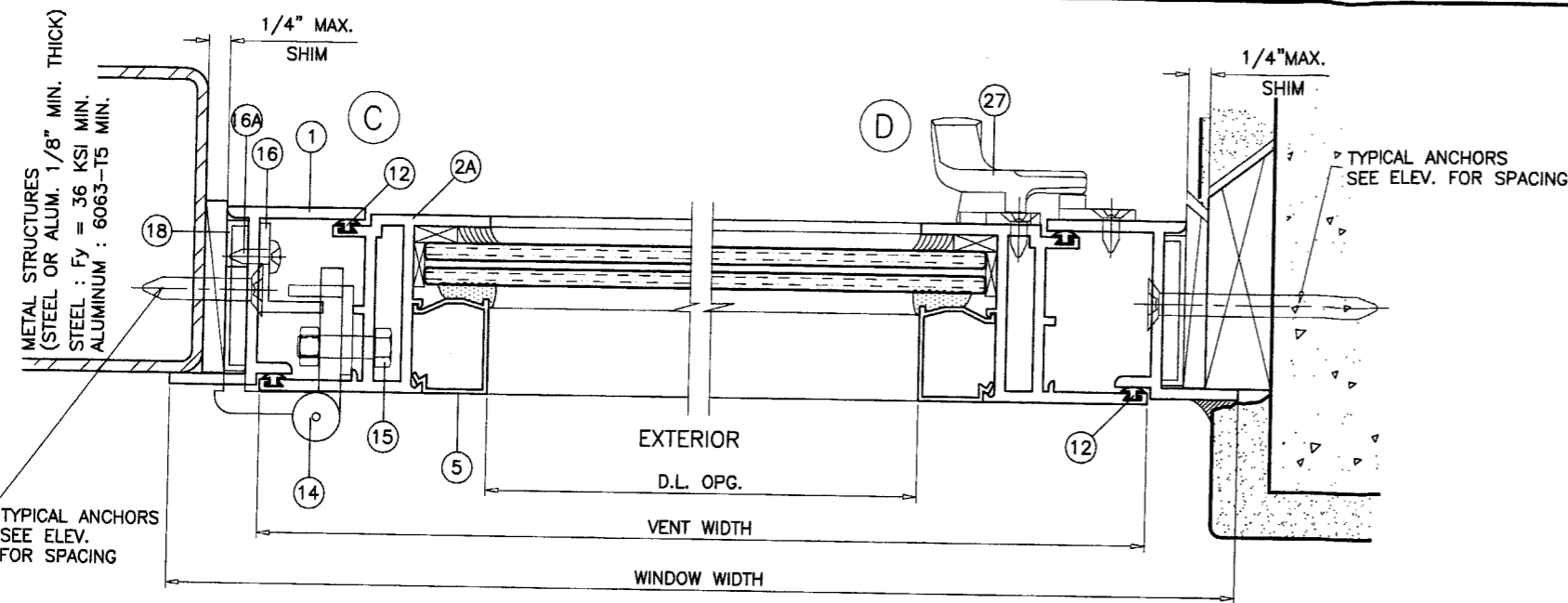
SERIES 3000/3062 ALUM CASEMENT WDW. (L.M.I.)
SOL-A-TROL ALUMINUM PRODUCTS
 4101 N.W. 132ND STREET
 MIAMI, FL. 33054
 TEL. (305) 681-2020 FAX. (305) 681-2035

no.	date	description
A	09.09.05	NO CHANGE THIS SHEET

revisions:

date: 02-02-05
 scale: 1/2" = 1"
 dr. by: HAMID
 chk. by:

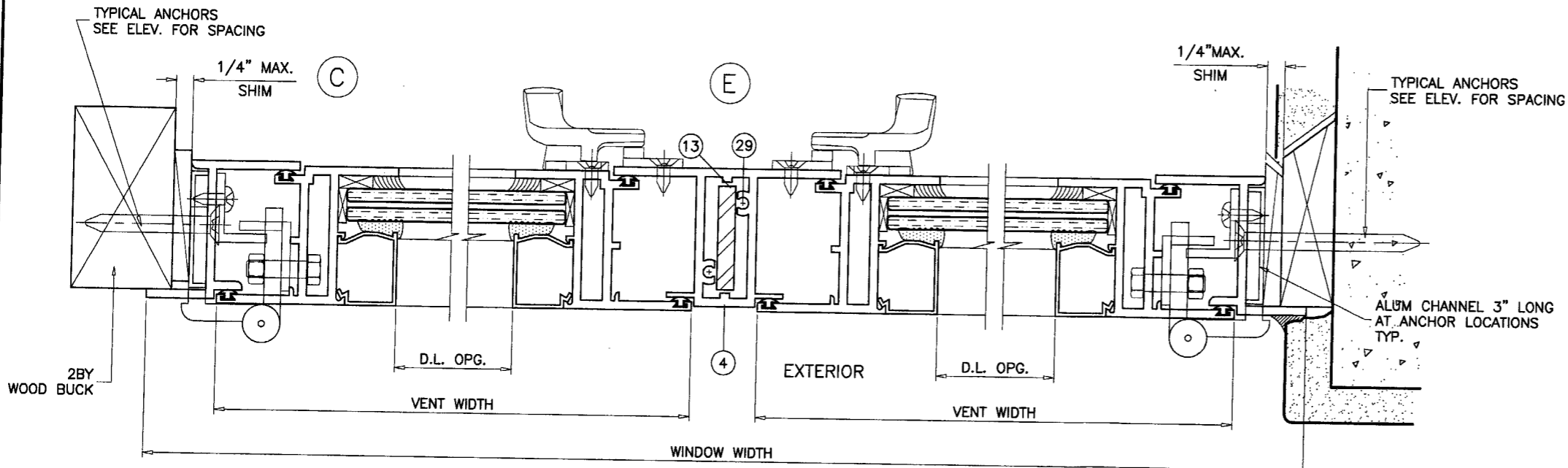
drawing no. **W05-06**
 sheet 5 of 9



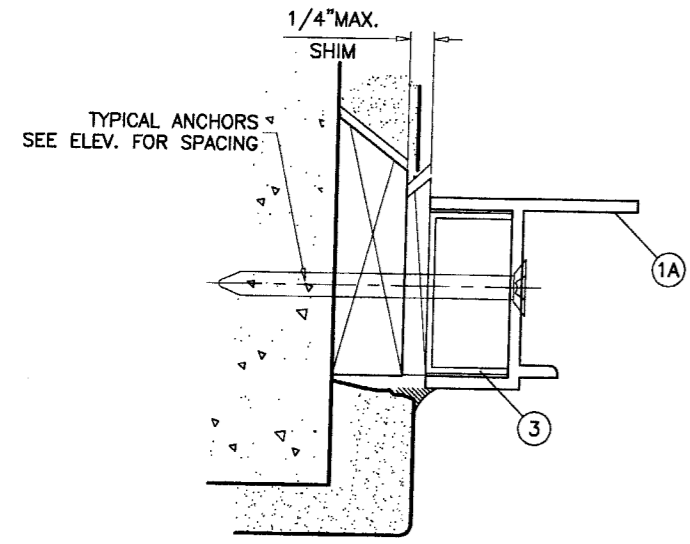
SINGLE VENT WINDOWS

HINGE:
 5-KNUCKLE ALUMINUM BUTT HINGES PART #0170
 TWO PER VENT
 INSTALLED WITH 1/4" X 3/4" PH SMS 6/HINGE

LOCKS:
 CAM LOCK AND KEEPER PART #798L/799R AND 5824
 BY MELRON CORP.
 2 PER VENT FOR WINDOWS UPTO 38-3/8" HEIGHTS
 3 PER VENT FOR WINDOWS ABOVE 38-3/8" HEIGHTS
 INSTALLED WITH #8 X 1/2" PH SMS 2/ LOCK



DUAL VENT WINDOWS



SERIES 3000

Engr: DR. HUMAYOON FAROOQ
 STRUCTURES
 FLA. PE # 16557
 C.A.N. 3538

SEP 15 2005

Approved as complying with the
 Florida Building Code
 Date NOV. 3, 2005
 NOA# 05-0414-02
 Miami Dade Product Control
 Division
 By *Manuel Perez*

AL-FAROOQ CORPORATION
 ENGINEERS, PLANNERS & PRODUCT DESIGN
 1235 SW 87 AVE
 MIAMI, FLORIDA 33174
 TEL. (305) 264-8100 FAX. (305) 262-6978

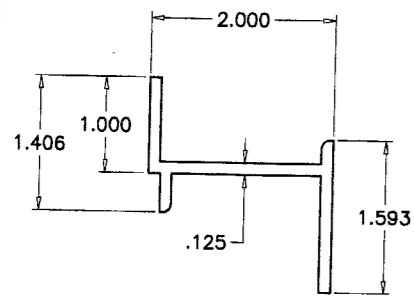
SERIES 3000/3062 ALUM CASEMENT WDW. (L.M.I.)
SOL-A-TROL ALUMINUM PRODUCTS
 4101 N.W. 132ND STREET
 MIAMI, FL. 33054
 TEL. (305) 681-2020 FAX. (305) 681-2035

no	date	description
A	09.09.05	REINFORCING ADDED

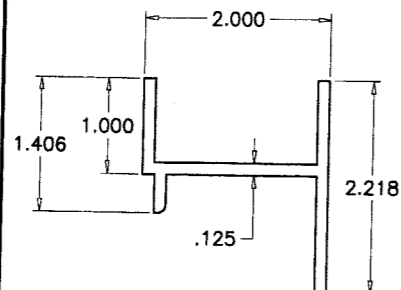
date: 02-02-05
 scale: 1/2" = 1"
 dr. by: HAMID
 chk. by:

drawing no.
W05-06
 sheet 6 of 9

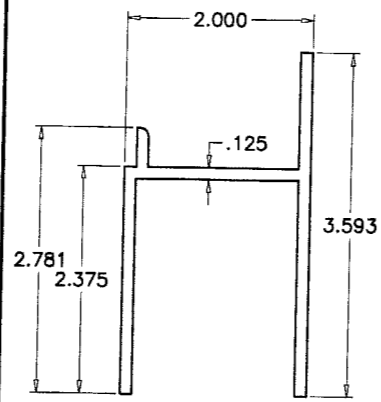
COMP-ANL/W05-06SAT



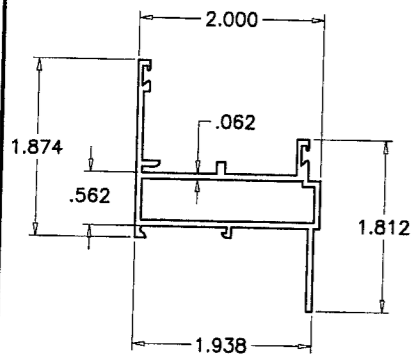
1 FLANGE FRAME HEAD/JAMB/SILL



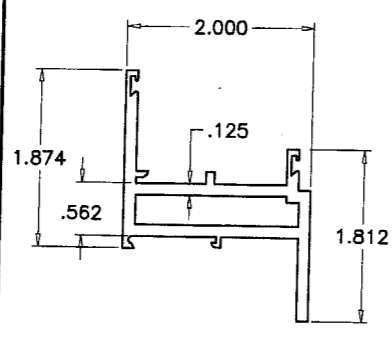
1A EQUAL LEG FRAME HEAD/JAMB/SILL



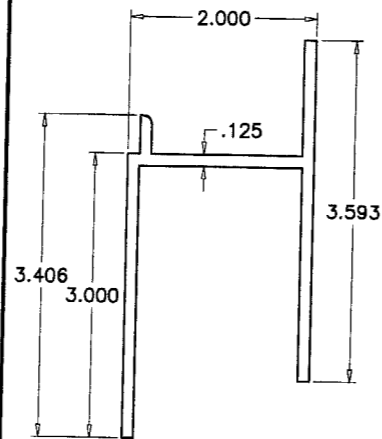
1B EQUAL LEG FRAME HWR SILL



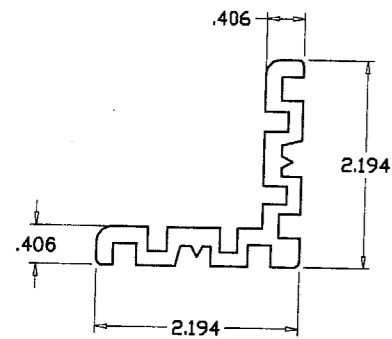
2 VENT SERIES 3062



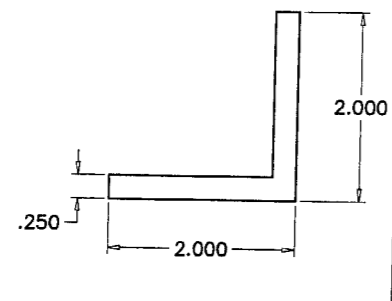
2A VENT SERIES 3000



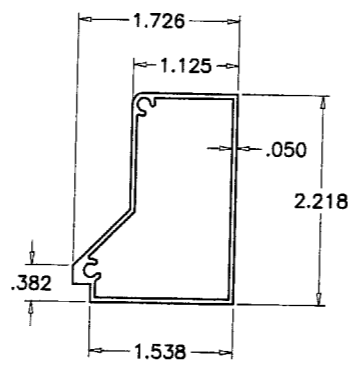
1C FLANGE FRAME HWR SILL



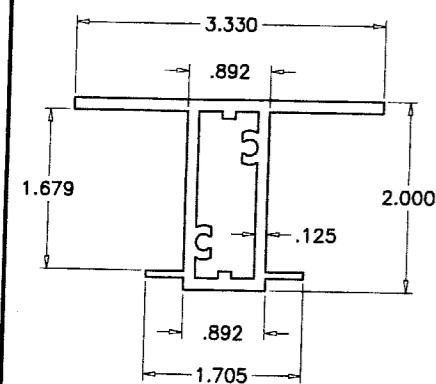
3 VENT CORNER KEY SERIES 3062



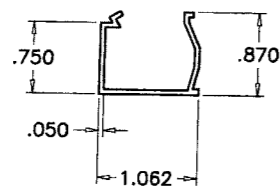
3A VENT CORNER KEY SERIES 3000



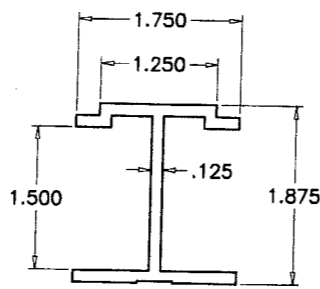
6 SILL TUBE



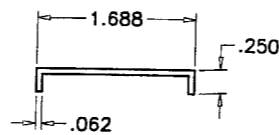
4 IMPOST



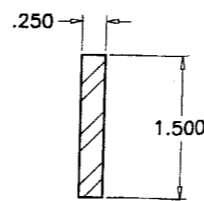
5 GLAZING BEAD



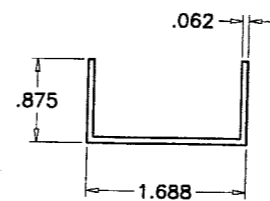
8 ZERO MULLION



18 ALUM CHANNEL AT ANCHOR LOCATIONS



13 MULLION/IMPOST REINFORCING



7 SUPPORT CHANNEL

ITEM	PART #	QUANTITY	DESCRIPTION	MATERIAL	MANF./SUPPLIER/REMARKS
1	ARSO-127	4	FLANGE FRAME (HEAD/JAMB/SILL)	6063-T5	-
1A	ARSO-142	4	EQUAL LEG FRAME (HEAD/JAMB/SILL)	6063-T5	-
1B	ARSO-314	1	EQUAL LEG FRAME (HWR SILL)	6063-T5	-
1C	ARSO-315	1	FLANGE FRAME (HWR SILL)	6063-T5	-
2	ARSO-176	4	VENT (SERIES 3062)	6063-T5	-
2A	ARSO-105	4	VENT (SERIES 3000)	6063-T5	-
3	ARSO-173	1/ CORNER	VENT CORNER KEY (SERIES 3062)	6063-T5	-
3A	-	-	VENT CORNER KEY (SERIES 3000)	-	-
4	ARSO-184	AS REQD.	IMPOST	6063-T5	-
5	ARSO-169	4	GLAZING BEAD	6063-T5	-
6	ARSO-313	AS REQD.	SILL TUBE	6063-T5	-
7	-	AS REQD.	SUPPORT CHANNEL, 3" LONG	3003-H14	-
8	ARSO-168	AS REQD.	ZERO MULLION	6063-T5	-
9	FP-40	AS REQD.	GLAZING WEDGE	VINYL	PROTOTYPE PLASTICS
10	326-RP-142B	2/ VENT	SETTING BLOCK (1/2" X 1/4" X FULL LENGTH)	PVC	PROTOTYPE PLASTICS
11	326-FP-808B	AS REQD.	SETTING BLOCK (1/2" X 1/8" X 2") @ QUARTER POINTS	PVC	PROTOTYPE PLASTICS
12	326-FP-261AB	AS REQD.	BULB WEATHER STRIPPING	VINYL	PROTOTYPE PLASTICS
13	-	AS REQD.	MULLION/IMPOST REINFORCING	STEEL	-
14	0170	2/ VENT	5-KNUCKLE BUTT HINGE	ALUMINUM	MELRON CORP.
14A	34-16	2/ VENT	4 BAR HINGE	ST. STEEL	-
15	1/4 X 3/4"	6/ HINGE	BUTT HINGE INSTALLATION SCREWS	ST. STEEL	PH SMS
15A	#10 X 3/4"	6/ HINGE	4 BAR HINGE INSTALLATION SCREWS	ST. STEEL	PH MS
16	-	6/ VENT	SNUBBER ANGLE 3/4" X 1" X 1/8" X 7-3/4" LONG	6063-T5	-
17	#10 X 1/2"	2/ ANGLE	SNUBBER ANGLE INSTALLATION SCREWS	-	PH SMS
18	-	AS REQD.	ALUMINUM CHANNEL	3003-H14	3" LONG
19	1735	1/ VENT	TWO POINT CONCEALED LOCK	BRONZE	MELRON CORP.
20	#10 X 1/2"	4/ VENT	LOCK INSTALLATION SCREWS	ST. STEEL	PH SMS
21	SM-SSK1	4/ VENT	KEEPER	ST. STEEL	SOL-A-TROL
22	#10 X 5/8"	4/ VENT	KEEPER INSTALLATION SCREWS	ST. STEEL	PH SMS
23	1/2" X 1/2"	1/ VENT	35 11/16" LONG LOCKING BAR	6063-T5	-
24	5/8" X 3/4"	2/ VENT	ALUM ANGLE 2" LONG, 1/8" THK.	6063-T5	-
25	#10 X 1/2"	4/ VENT	ANGLE INSTALLATION SCREWS	ST. STEEL	PH SMS
26	-	-	-	-	-
27	798L/799R & 5824	AS REQD.	CAM LOCK & KEEPER @ CENTER & 8-3/4" FROM ENDS	BRONZE	MELRON CORP.
28	105	OPTIONAL	CRANK OPERATOR	ZINC	SOUTHERN DIE CASTING
29	#10 X 1-1/2"	2/ CORNER	IMPOST ASSEMBLY SCREWS	-	PH SMS

Engr: DR. HUMAYOUN FAROOQ
STRUCTURES
FLA. PE # 16557
C.A.N. 3538

SEP 15 2005

Approved as complying with the
Florida Building Code
Date NOV. 3, 2005
NOA# 05-0414.02
Miami Dade Product Control
Division
By Manuel Perez

afc

AL-FAROOQ CORPORATION
ENGINEERS, PLANNERS & PRODUCT DESIGN
1235 SW 87 AVE
MIAMI, FLORIDA 33174
TEL. (305) 284-8100 FAX. (305) 262-6978
COMP-ANL\W05-06SAT

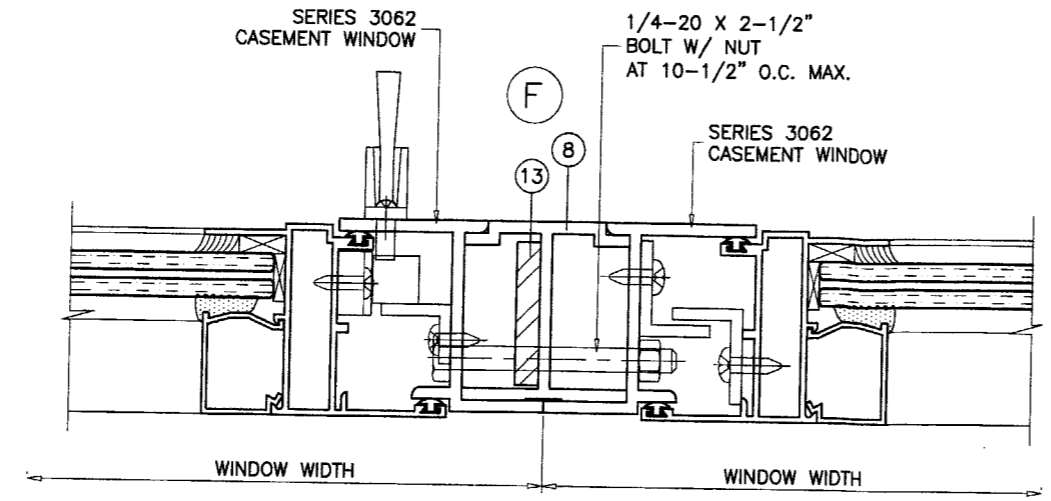
SERIES 3000/3062 ALUM CASEMENT WDW. (L.M.I.)
SOL-A-TROL ALUMINUM PRODUCTS
4101 N.W. 132ND STREET
MIAMI, FL. 33054
TEL. (305) 681-2020 FAX. (305) 681-2035

revisions:	no	date	by	description
	A	09.09.05		REINFORCING ADDED

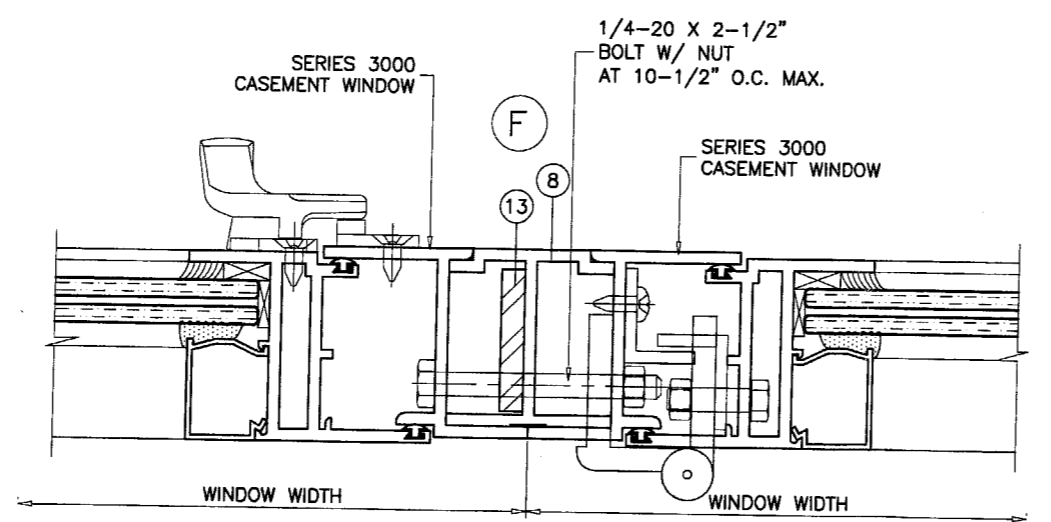
date: 02-02-05
scale: 1/2" = 1"
dr. by: HAMID
chk. by:

drawing no. **W05-06**
sheet 7 of 9

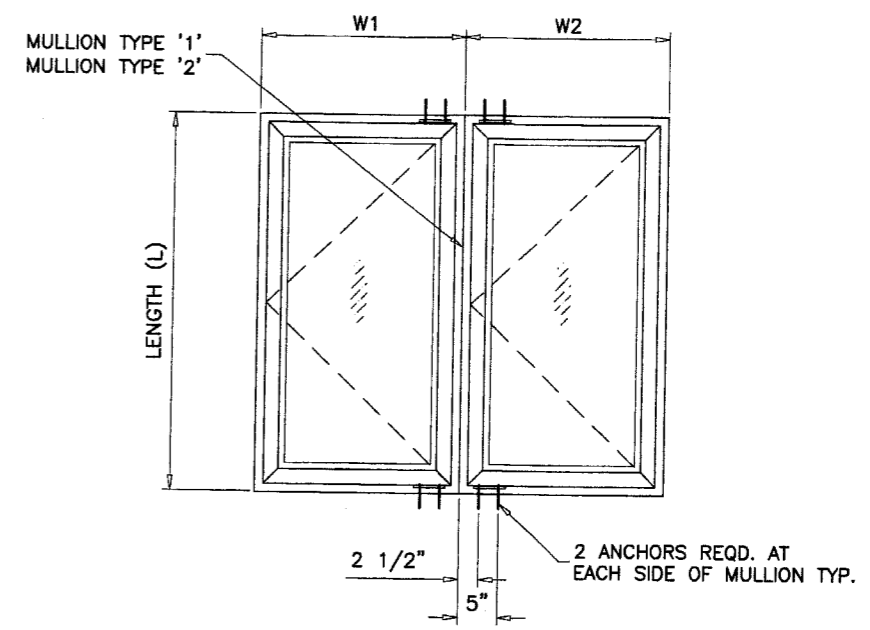
MULLION LOAD CAPACITY - PSF			
WINDOW DIMS.		TYPE '1'	TYPE '2'
WIDTH (W)	LENGTH (L)	EXT.(+) INT.(-)	EXT.(+) INT.(-)
19-1/8"	26"	80.0	100.0
26-1/2"		80.0	100.0
37"		80.0	100.0
53-1/8"		80.0	100.0
19-1/8"	38-3/8"	80.0	100.0
26-1/2"		80.0	100.0
37"		80.0	100.0
53-1/8"		80.0	100.0
19-1/8"	50-5/8"	80.0	100.0
26-1/2"		80.0	100.0
37"		80.0	100.0
53-1/8"		80.0	100.0
19-1/8"	63"	80.0	100.0
26-1/2"		80.0	100.0
37"		80.0	100.0
53-1/8"		80.0	100.0
24"	36"	80.0	100.0
30"		80.0	100.0
36"		80.0	100.0
24"	42"	80.0	100.0
30"		80.0	100.0
36"		80.0	100.0
24"	48"	80.0	100.0
30"		80.0	100.0
36"		80.0	100.0
24"	54"	80.0	100.0
30"		80.0	100.0
36"		80.0	100.0
24"	60"	80.0	100.0
30"		80.0	100.0
36"		80.0	100.0



MULLION TYPE '1'



MULLION TYPE '2'



TYPICAL ELEVATIONS
SIDE BY SIDE WINDOWS
SIDE BY SIDE APPLIES TO TWO OR MORE WINDOWS

$$WIDTH (W) = \frac{W1 + W2}{2}$$

- NOTES:**
- USE CHART ON THIS SHEET FOR SIDE BY SIDE CONNECTION CAPACITY OF WINDOW MULLION.
 - FOR CASEMENT WINDOW CAPACITY SEE SHEET 2 OF 9.
 - LOWER VALUES FROM STEPS 1 OR 2 WILL APPLY TO ENTIRE SYSTEM.

Engr: DR. HUMAYOON FAROOQ
STRUCTURES
FLA. PE # 16557
C.A.N. 3538

Approved as complying with the Florida Building Code
Date: NOV. 3, 2005
NOA# 05-0414.02
Miami Dade Product Control
Division
By: Manuel Perez

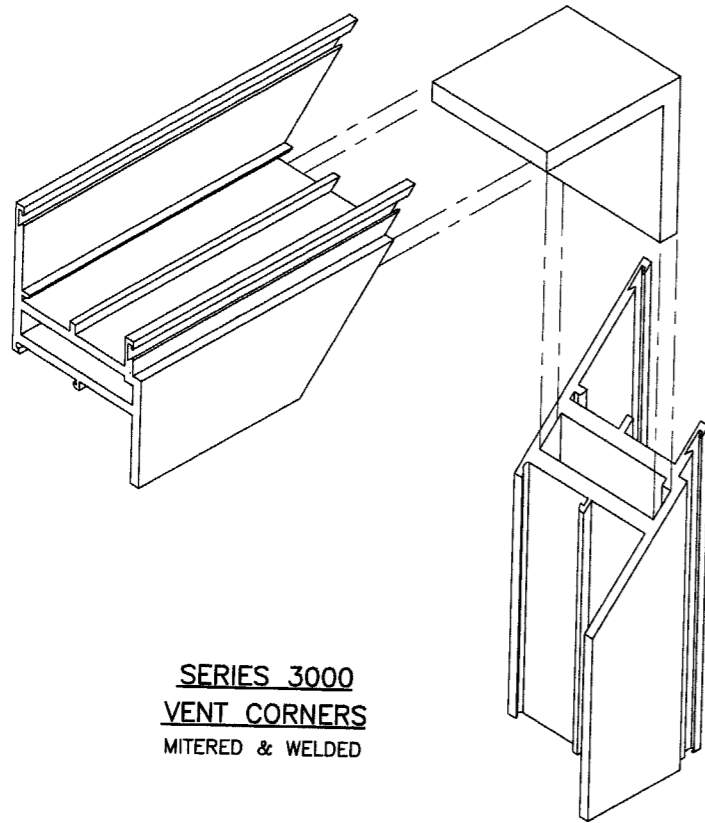
AL-FAROOQ CORPORATION
ENGINEERS, PLANNERS & PRODUCT DESIGN
1235 SW 87 AVE
MIAMI, FLORIDA 33174
TEL. (305) 264-8100 FAX. (305) 262-6978
COMP-ANL\W05-06SAT

SERIES 3000/3062 ALUM CASEMENT WDW. (L.M.I.)
SOL-A-TROL ALUMINUM PRODUCTS
4101 N.W. 132ND STREET
MIAMI, FL. 33054
TEL. (305) 681-2020 FAX. (305) 681-2035

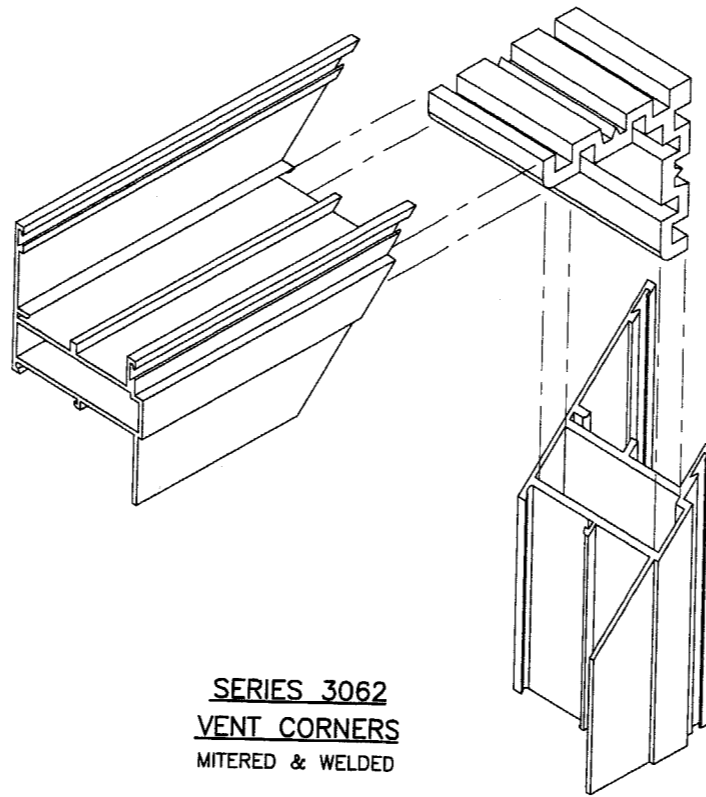
no	date	description
A	09.09.05	NO CHANGE THIS SHEET

date: 02-02-05
scale: 1/2" = 1"
dr. by: HAMID
chk. by:

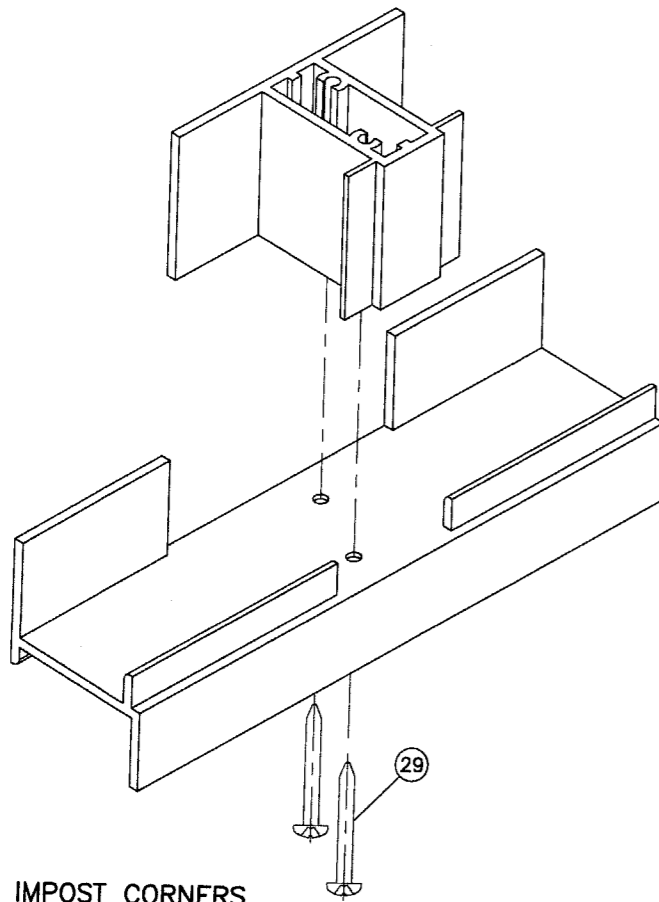
drawing no.
W05-06
sheet 8 of 9



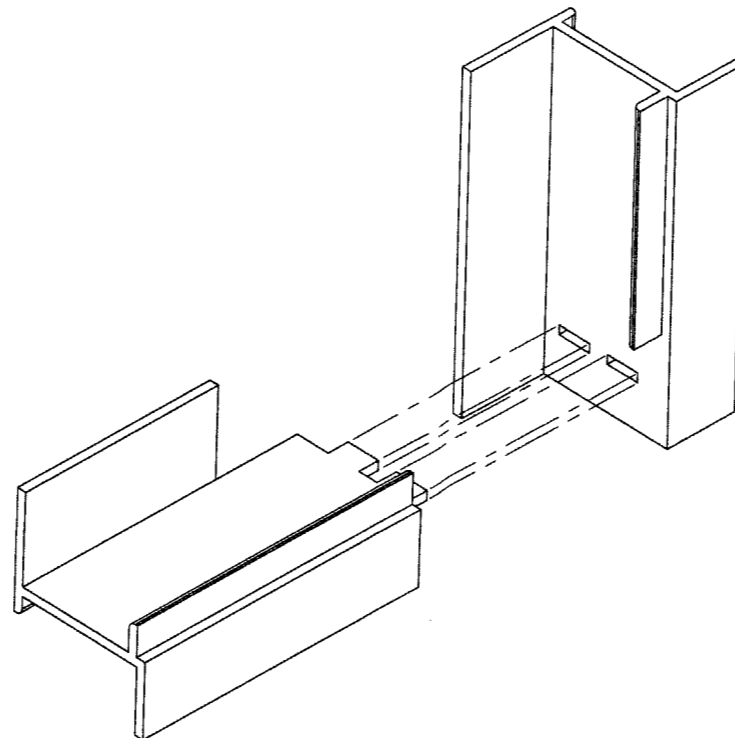
SERIES 3000
VENT CORNERS
MITERED & WELDED



SERIES 3062
VENT CORNERS
MITERED & WELDED



IMPOST CORNERS



FRAME CORNERS
STAKED MORTISE AND TENON FABRICATION

Engr: DR. HAJMAYOUN FAROOQ
STRUCTURES
FLA. PE # 16557
C.A.N. 3538

SEP 15 2005

Approved as complying with the
Florida Building Code
Date Nov. 3, 2005
NOAH 05-0474-02
Miami Dade Product Control
Division
By *[Signature]*

afc

AL-FAROOQ CORPORATION
ENGINEERS, PLANNERS & PRODUCT DESIGN
1235 SW 87 AVE
MIAMI, FLORIDA 33174
TEL. (305) 264-8100 FAX. (305) 262-6978
COMP-ANL\W05-06SAT

SERIES 3000/3062 ALUM CASEMENT WDW. (L.M.I.)

SOL-A-TROL ALUMINUM PRODUCTS
4101 N.W. 132ND STREET
MIAMI, FL. 33054
TEL. (305) 681-2020 FAX. (305) 681-2035

revisions:	no	date	by	description
	A	09.09.05		NO CHANGE THIS SHEET

date: 02-02-05
scale: 1/2" = 1"
dr. by: HAMID
chk. by:

drawing no.
W05-06

sheet 9 of 9